

DRAWER SLIDE

อุปกรณ์รางลิ้นชัก



Lineabox - Metal drawer

Lineabox is the metal drawer from Salice, characterised by streamlined and simple lines with minimal side thickness and clean, sophisticated lines.

It is available in 4 different heights in the versions with 2 metal sides and wooden back panel, and in 3 different heights in the versions with 3 metal sides. The 2-sided drawer can have both a visible back or with the edge of the back panel covered by the drawer side (recessed back panel), giving a more streamlined finish to the drawer.

Lineabox can be also used as under-sink drawer and sink waste cut-out drawer, thus meeting every need in kitchens and bathrooms.

The range is completed by the Lineabox 4-sided internal drawer, available with or without insert, which is 8 mm thick and can be made in any material.

Lineabox is very versatile and many distinguishing features makes it a unique and unparalleled drawer.

The slim 9 mm wall thickness makes Lineabox one of the thinnest drawers ever.

Furthermore, the assembly components are inserted inside its structure, so that there are no visible screws. The assembly process is fast and can be carried out without the need for tools, machines or templates.

Lineabox is highly customisable. The back dimensions can be modified according to the width of the cabinet.

The sliding movement is fluid and silent, thanks to Salice Futura runners and, wherever a product is needed with high load-bearing capacity, to the CC70 full-extension runners.



DRAWER SLIDE

อุปกรณ์รางลิ้นชัก



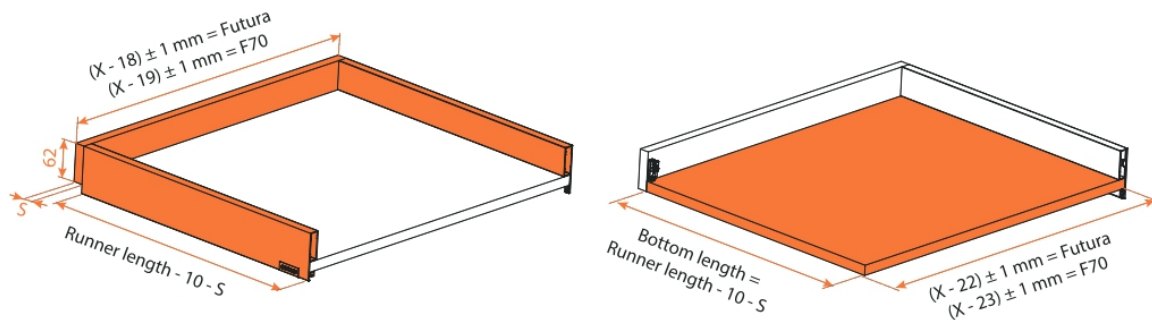
Lineabox - 2-Sided - H 75 mm



Lineabox metal sides, wooden bottom and back panel.
Height of the side 75 mm - Internal height 46 mm.
For use with F70 and Futura full-extension runners.




- Rapid assembly system, with no machinery or templates needed
- Rapid mounting and removal of drawer frontal
- Height, sideways and depth adjustment of the drawer incorporated in the runner fixing clips
- Back and bottom thickness: 16 mm
- Material: Aluminium
- Lineabox sides cut to length
- Sides: 90° cut end
- Finishes: White - Titanium - Champagne - Stainless steel

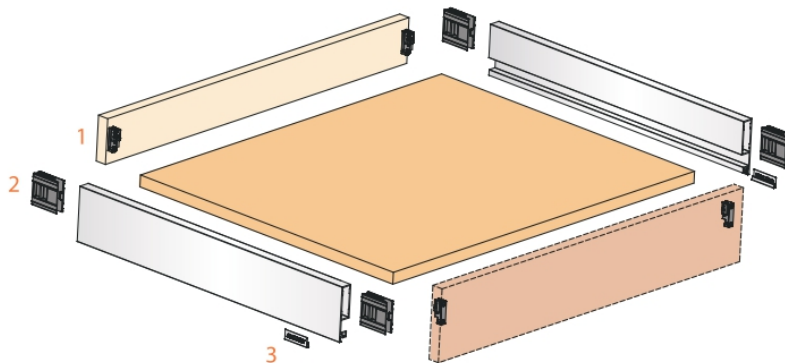
Setting of the back and the bottom of the drawer



X = Internal width of the cabinet
S = Back thickness

Elements of the drawer

1	 C-FF-6 Screw-on frontal and back fixing	4 pcs.
2	 C-FF-3 Frontal and back connecting fitting	4 pcs.
3	 C-FF-5 Cover cap with embossed logo	2 pcs.



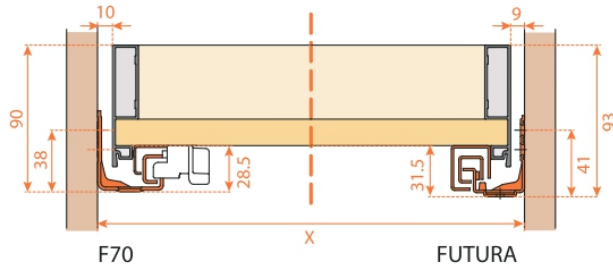
DRAWER SLIDE

อุปกรณ์รางลิ้นชัก

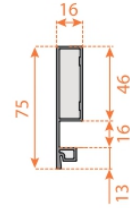


Lineabox - 2-Sided - H 75 mm

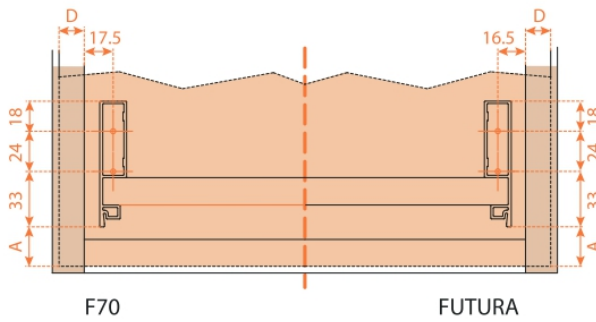
Dimensions



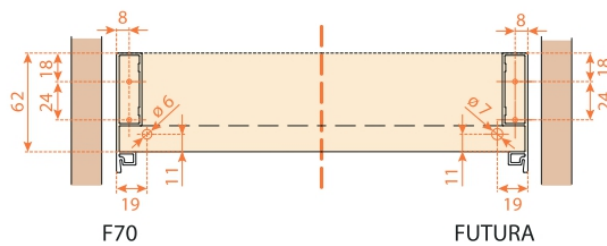
Dimensions of the metal side



Frontal drilling



Back drilling

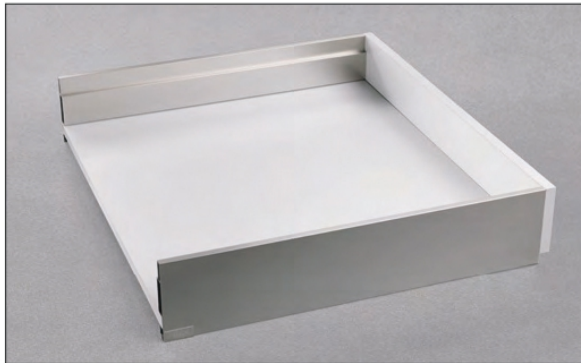


DRAWER SLIDE

อุปกรณ์รางลิ้นชัก



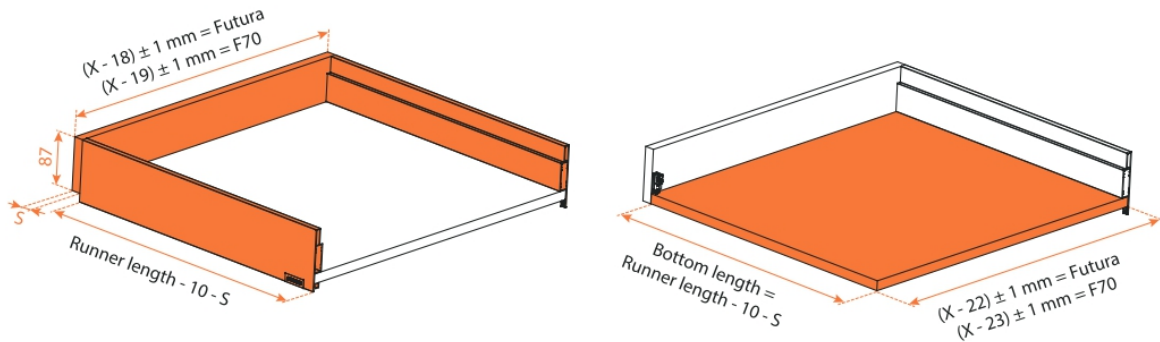
Lineabox - 2-Sided - H 101 mm



Lineabox metal sides, wooden bottom and back panel.
Height of the side 101 mm - Internal height 72 mm.
For use with F70 and Futura full-extension runners.

- Rapid assembly system, with no machinery or templates needed
- Rapid mounting and removal of drawer frontal
- Height, sideways and depth adjustment of the drawer incorporated in the runner fixing clips
- Back and bottom thickness: 16 mm
- Material: Aluminium
- Lineabox sides cut to length
- Sides: 90° cut end
- Finishes: White - Titanium - Champagne - Stainless steel

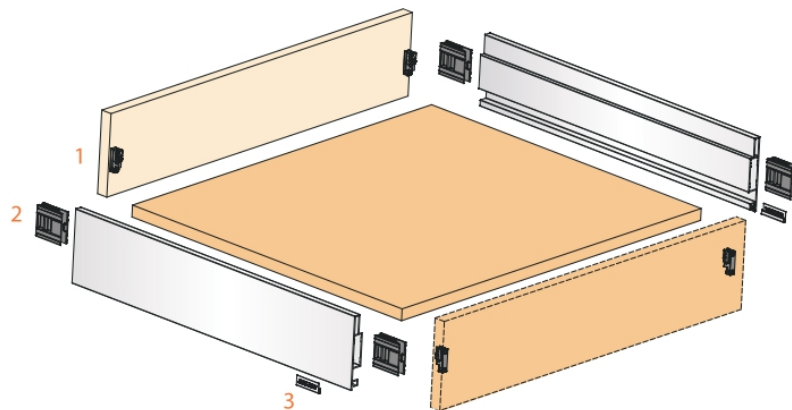
Setting of the back and the bottom of the drawer



X = Internal width of the cabinet
S = Back thickness

Elements of the drawer

1	C-FF-6 Screw-on frontal and back fixing	4 pcs.
2	C-FF-3 Frontal and back connecting fitting	4 pcs.
3	C-FF-5 Cover cap with embossed logo	2 pcs.



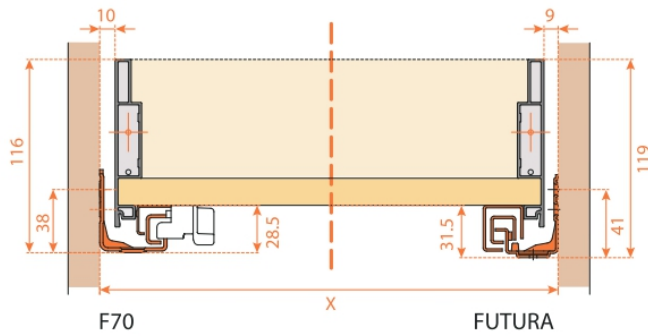
DRAWER SLIDE

อุปกรณ์รางลิ้นชัก

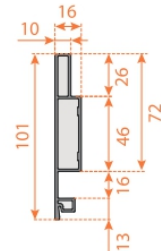


Lineabox - 2-Sided - H 101 mm

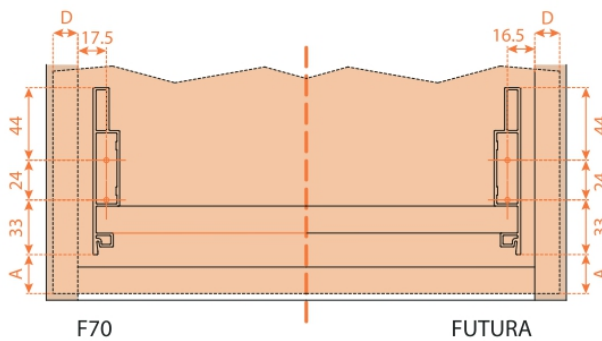
Dimensions



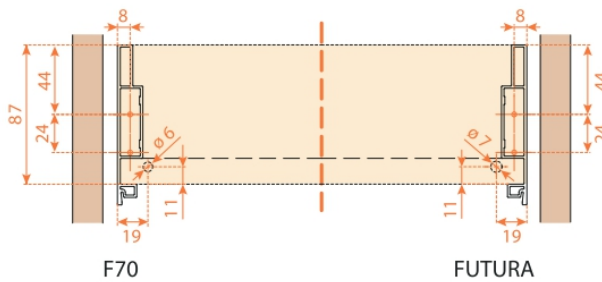
Dimensions of the metal side



Frontal drilling



Back drilling

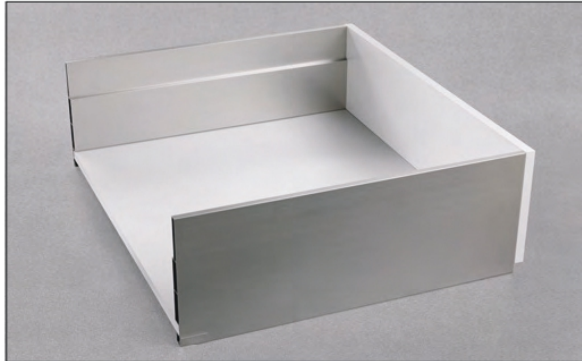


DRAWER SLIDE

อุปกรณ์รางลิ้นชัก



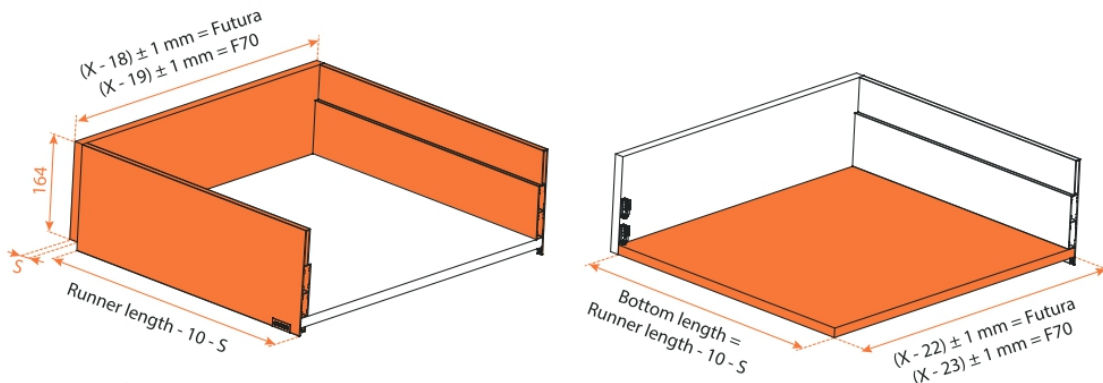
Lineabox - 2-Sided - H 178 mm



Lineabox metal sides, wooden bottom and back panel.
Height of the side 178 mm - Internal height 149 mm.
For use with F70 and Futura full-extension runners.

- Rapid assembly system, with no machinery or templates needed
- Rapid mounting and removal of drawer frontal
- Height, sideways and depth adjustment of the drawer incorporated in the runner fixing clips
- Back and bottom thickness: 16 mm
- Material: Aluminium
- Lineabox sides cut to length
- Sides: 90° cut end
- Finishes: White - Titanium - Champagne - Stainless steel

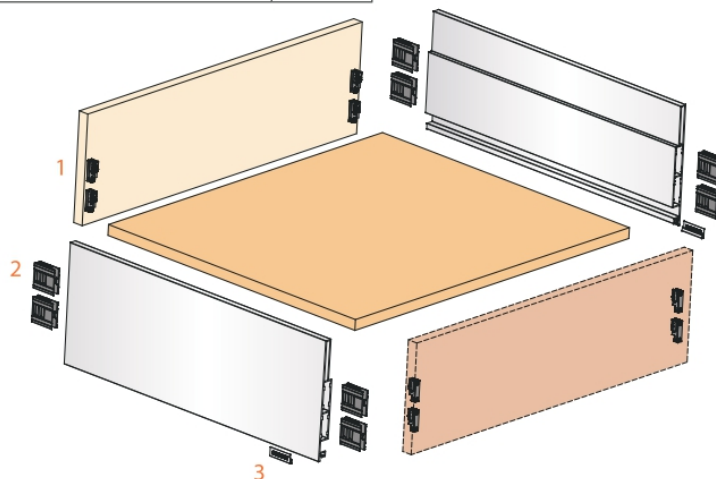
Setting of the back and the bottom of the drawer



X = Internal width of the cabinet
S = Back thickness

Elements of the drawer

1	C-FF-6 Screw-on frontal and back fixing	8 pcs.
2	C-FF-3 Frontal and back connecting fitting	8 pcs.
3	C-FF-5 Cover cap with embossed logo	2 pcs.



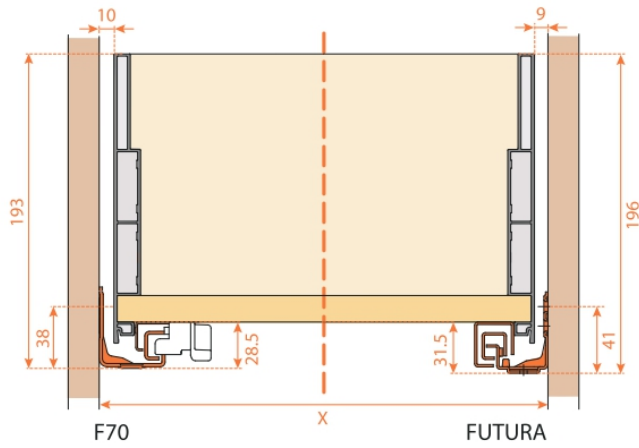
DRAWER SLIDE

อุปกรณ์รางลิ้นชัก

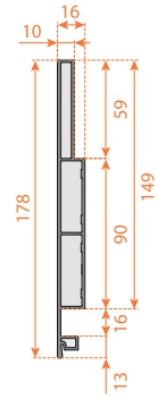


Lineabox - 2-Sided - H 178 mm

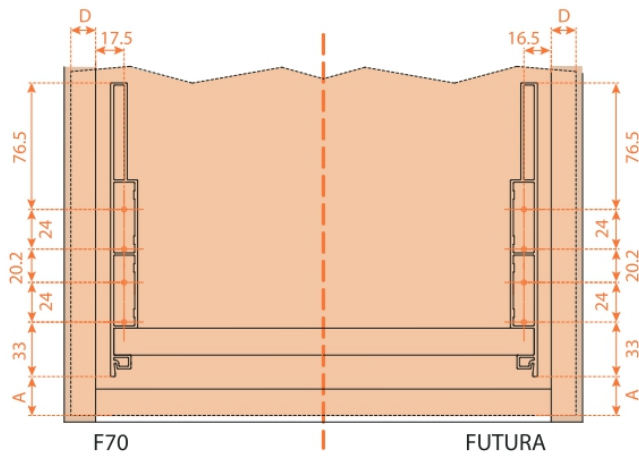
Dimensions



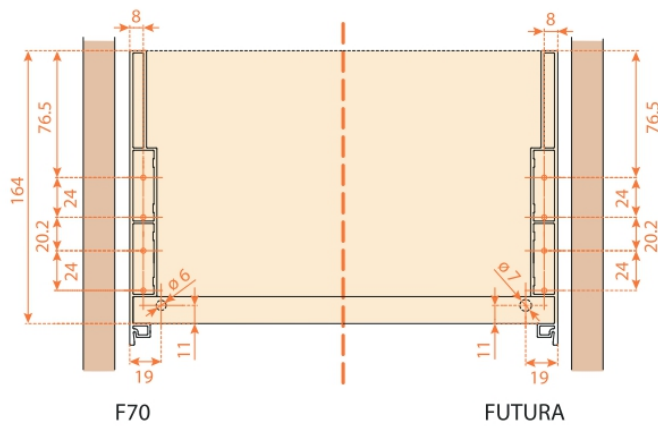
Dimensions of the metal side



Frontal drilling



Back drilling



DRAWER SLIDE

อุปกรณ์รางลิ้นชัก



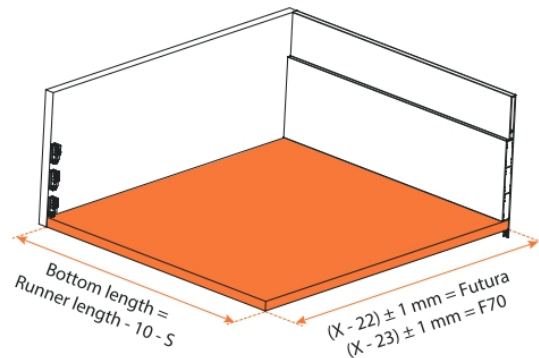
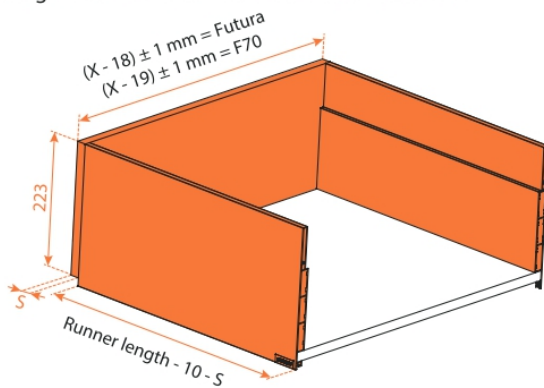
Lineabox - 2-Sided - H 237 mm



Lineabox metal sides, wooden bottom and back panel.
Height of the side 237 mm - Internal height 208 mm.
For use with F70 and Futura full-extension runners.

- Rapid assembly system, with no machinery or templates needed
- Rapid mounting and removal of drawer frontal
- Height, sideways and depth adjustment of the drawer incorporated in the runner fixing clips
- Back and bottom thickness: 16 mm
- Material: Aluminium
- Lineabox sides cut to length
- Sides: 90° cut end
- Finishes: White - Titanium - Champagne - Stainless steel

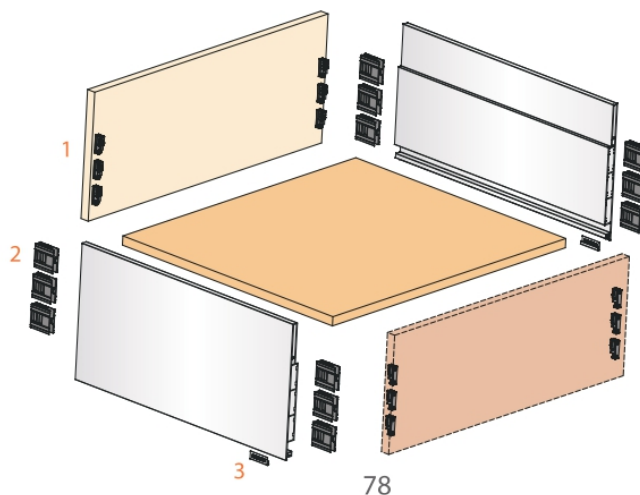
Setting of the back and the bottom of the drawer



X = Internal width of the cabinet
S = Back thickness

Elements of the drawer

1	C-FF-6 Screw-on frontal and back fixing	12 pcs.
2	C-FF-3 Frontal and back connecting fitting	12 pcs.
3	C-FF-5 Cover cap with embossed logo	2 pcs.



DRAWER SLIDE

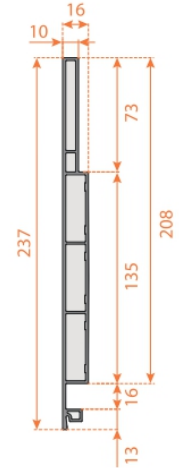
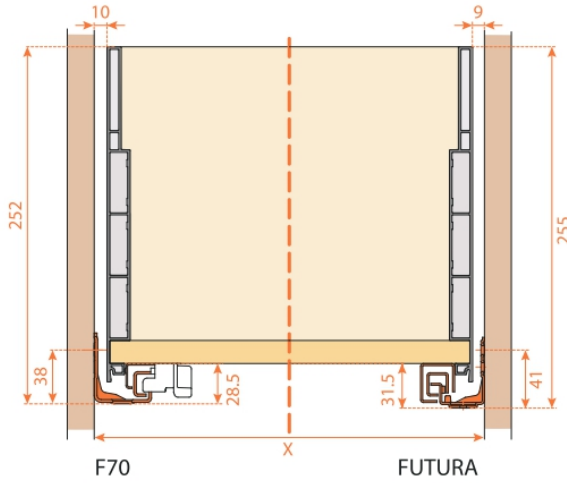
อุปกรณ์รางลิ้นชัก



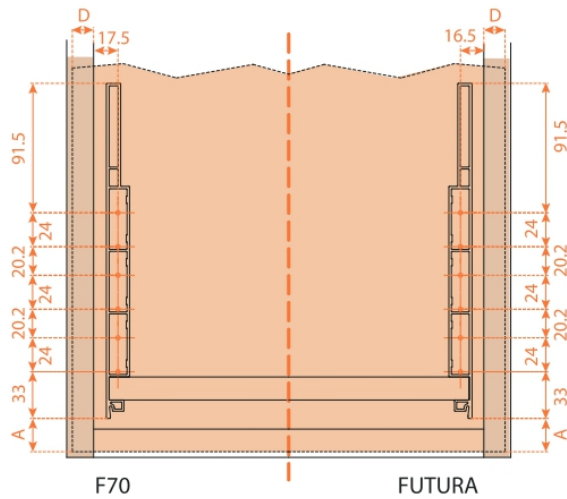
Lineabox - 2-Sided - H 237 mm

Dimensions

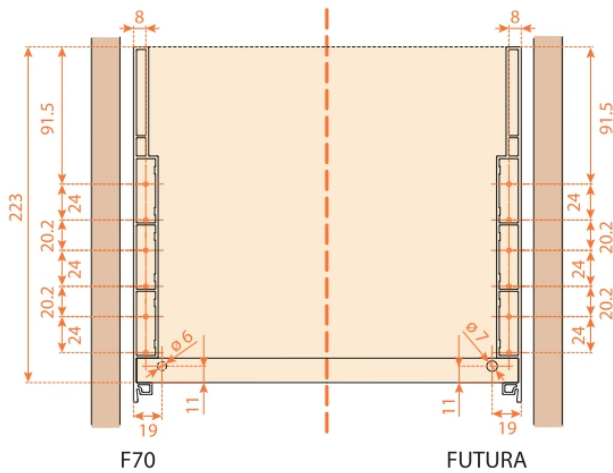
Dimensions of the metal side



Frontal drilling



Back drilling



DRAWER SLIDE

อุปกรณ์รางลิ้นชัก



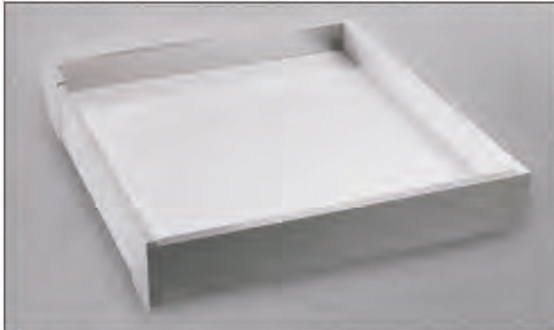
Lineabox - 4-Sided
Internal drawer

DRAWER SLIDE

อุปกรณ์รางลิ้นชัก



Lineabox - 4-Sided - Internal drawer - H 75 mm

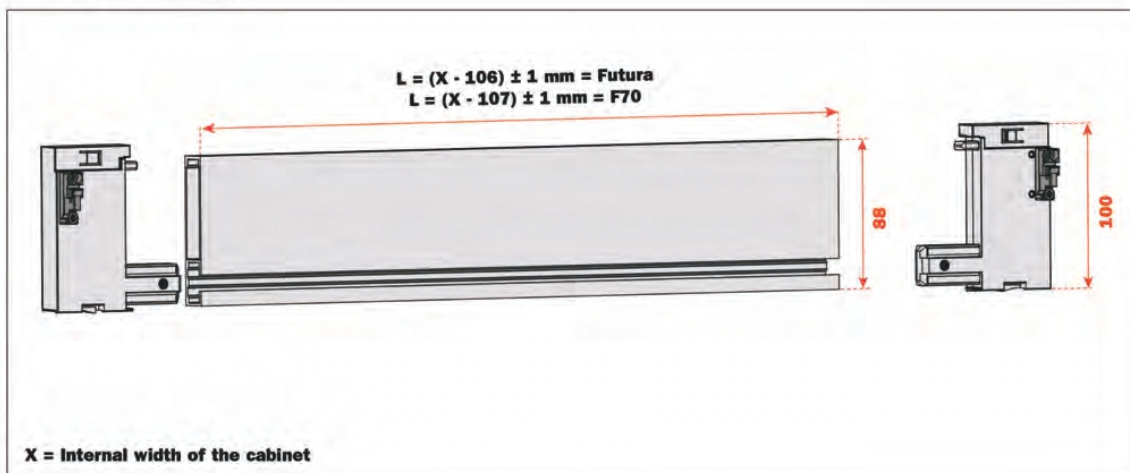


Height of Lineabox side 75 mm.
Max. height of front panel 100 mm.
For use with F70 and Futura full-extension runners.

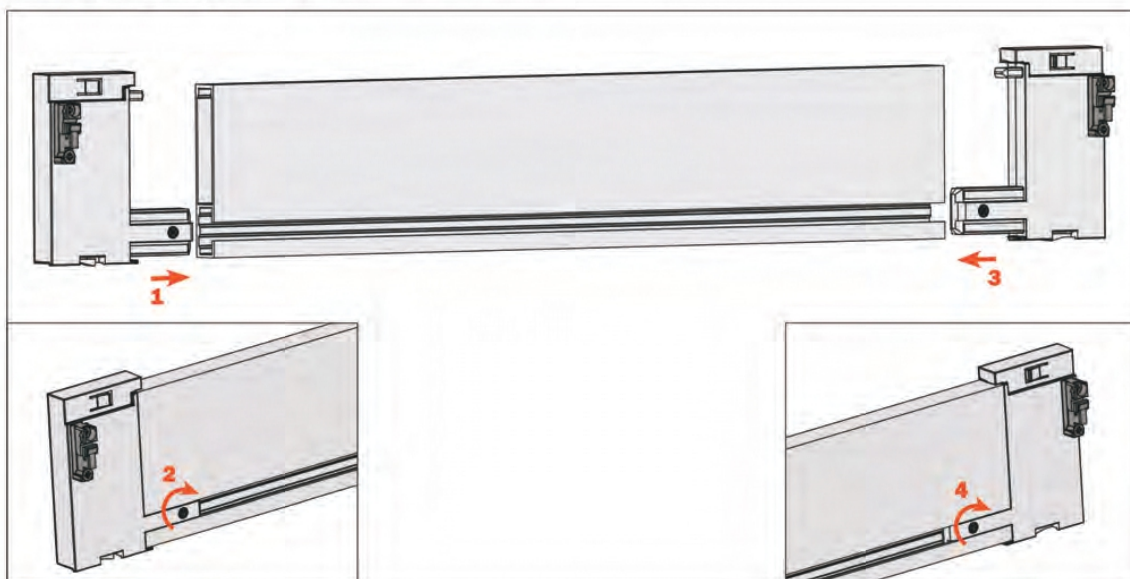
- Rapid assembly system, with no machinery or templates needed
- Rapid mounting and removal of front panel
- Can be modified according to the width of the cabinet
- Height, sideways and depth adjustment of the drawer incorporated in the runner fixing clips
- Material: - aluminum for Lineabox sides and front panel
 - plastic for front panel adapters
 - metal for covers
- Finishes: White - Titanium - Stainless steel

Assembly details

Cut the front panel to length



Insert the front panel adapters into the front panel and tighten the locking screws.
Frontal fixings are already premounted.

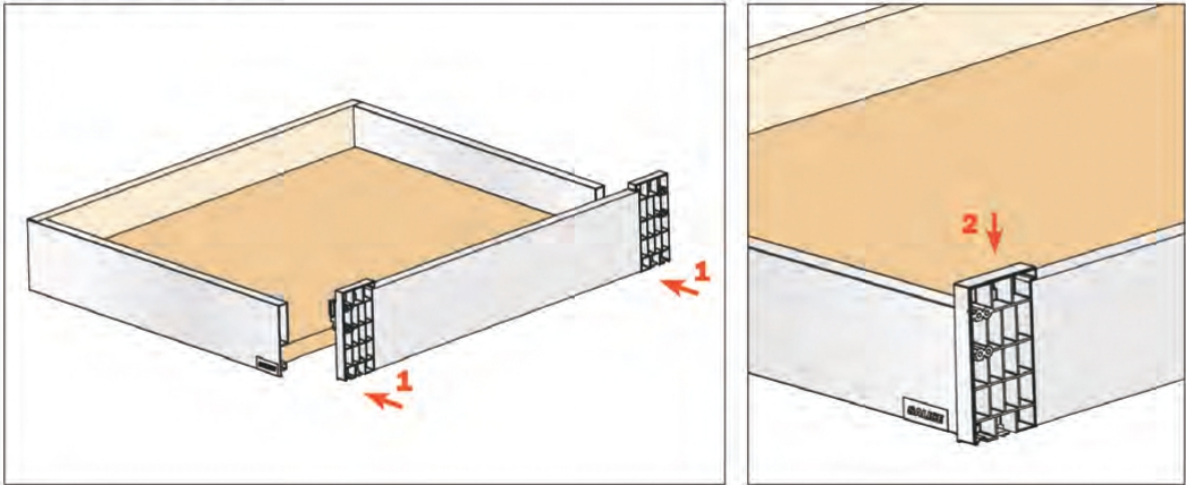


DRAWER SLIDE

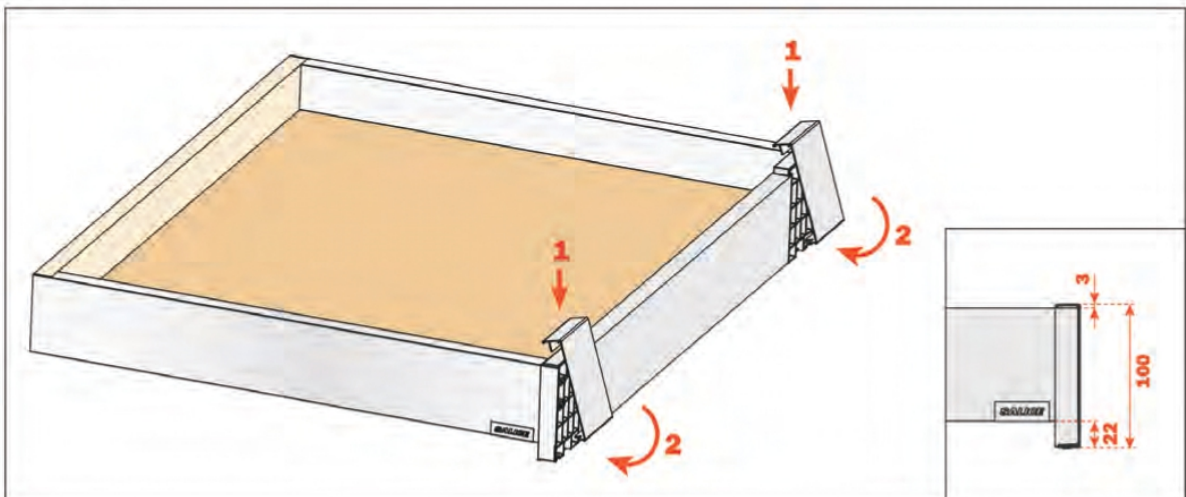
อุปกรณ์รางลิ้นชัก



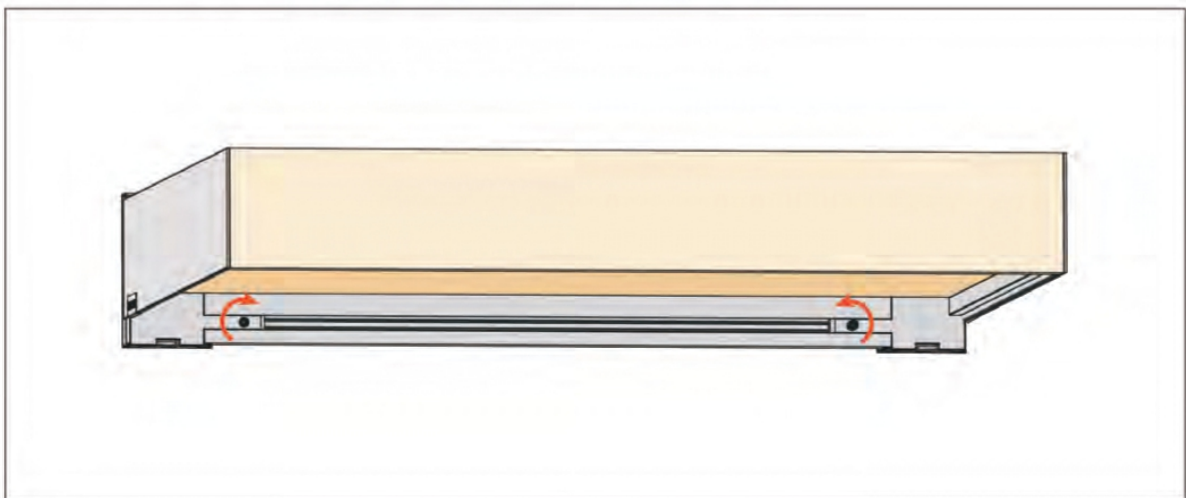
Fix the front panel to the drawer



Fix the covers



To correct any possible cutting errors of the panel, loosen and retighten the indicated screws

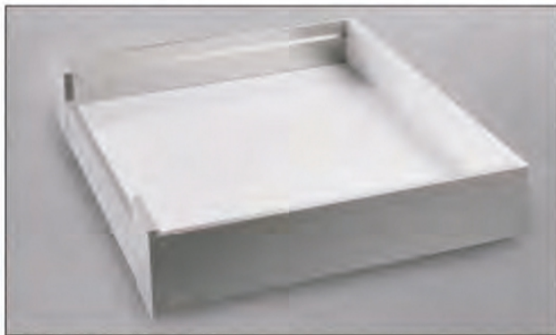


DRAWER SLIDE

อุปกรณ์รางลิ้นชัก



Lineabox - 4-Sided - Internal drawer - H 101 mm

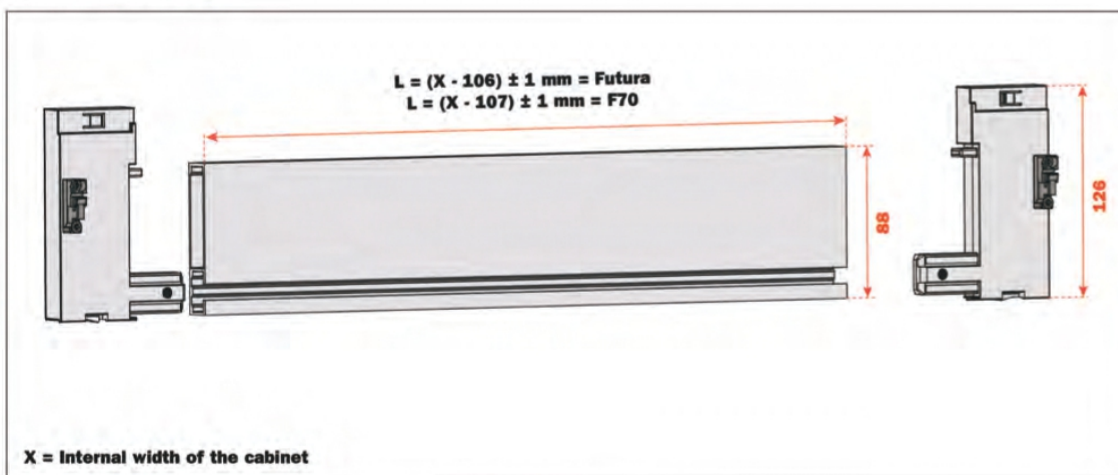


Height of Lineabox side 101 mm.
Max. height of front panel 126 mm.
For use with F70 and Futura full-extension runners.

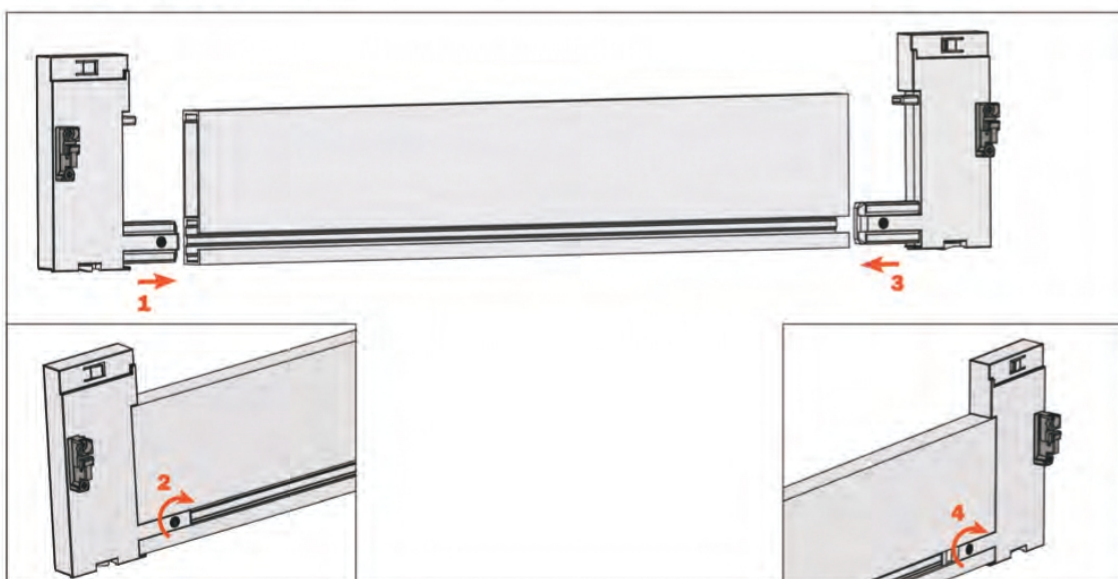
- Rapid assembly system, with no machinery or templates needed
- Rapid mounting and removal of front panel
- Can be modified according to the width of the cabinet
- Height, sideways and depth adjustment of the drawer incorporated in the runner fixing clips
- Material: - aluminum for Lineabox sides and front panel
 - plastic for front panel adapters
 - metal for covers
- Finishes: White - Titanium - Stainless steel

Assembly details

Cut the front panel to length



Insert the front panel adapters into the front panel and tighten the locking screws.
Frontal fixings are already premounted.

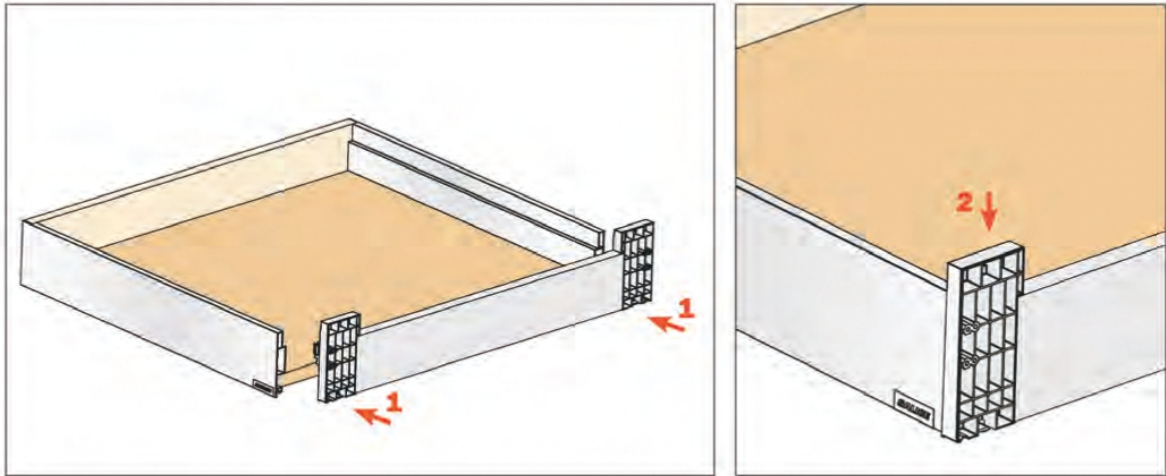


DRAWER SLIDE

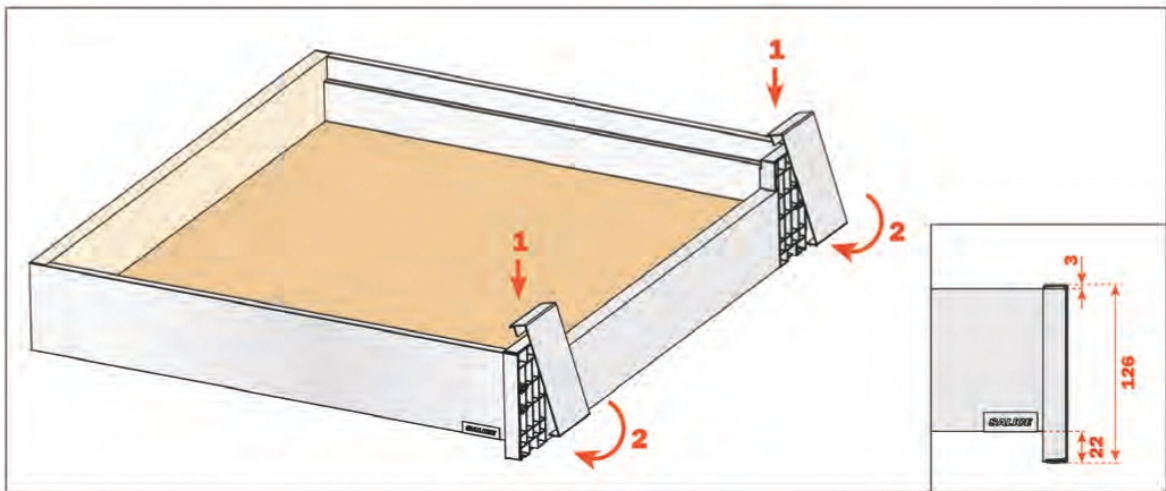
อุปกรณ์รางลิ้นชัก



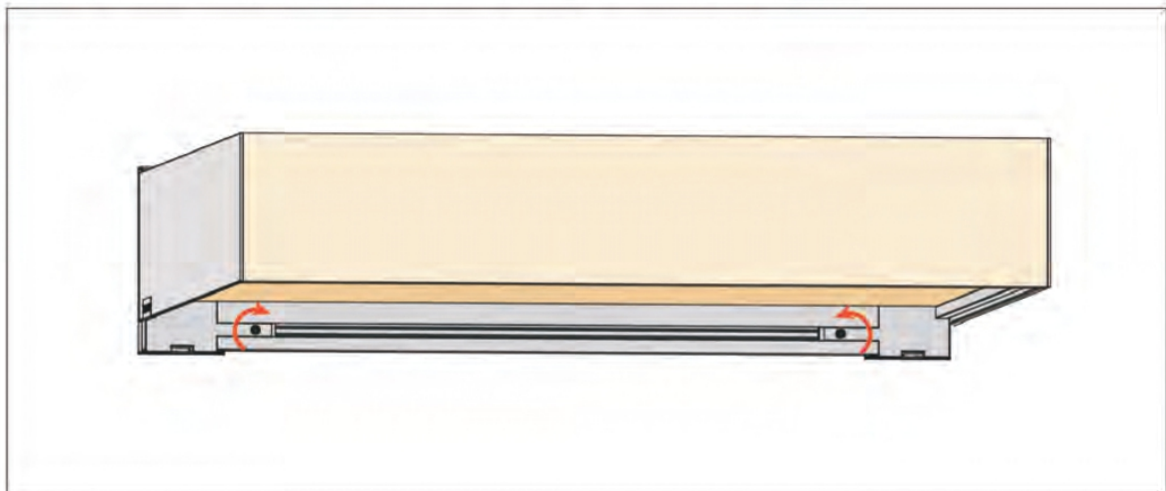
Fix the front panel to the drawer



Fix the covers



To correct any possible cutting errors of the panel, loosen and retighten the indicated screws



DRAWER SLIDE

อุปกรณ์รางลิ้นชัก



Lineabox - 4-Sided - Internal drawer - H 178 mm

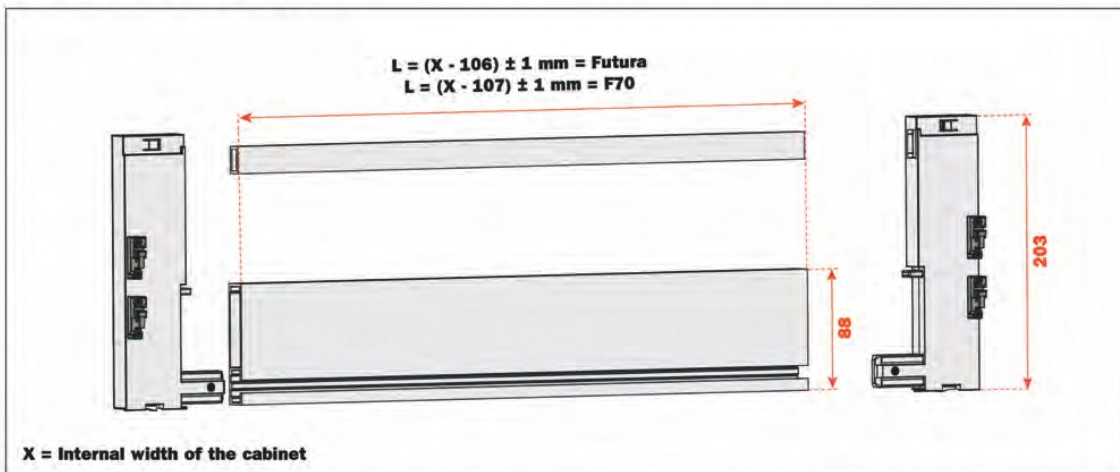


Height of Lineabox side 178 mm.
Max. height of front panel 203 mm.
For use with F70 and Futura full-extension runners.

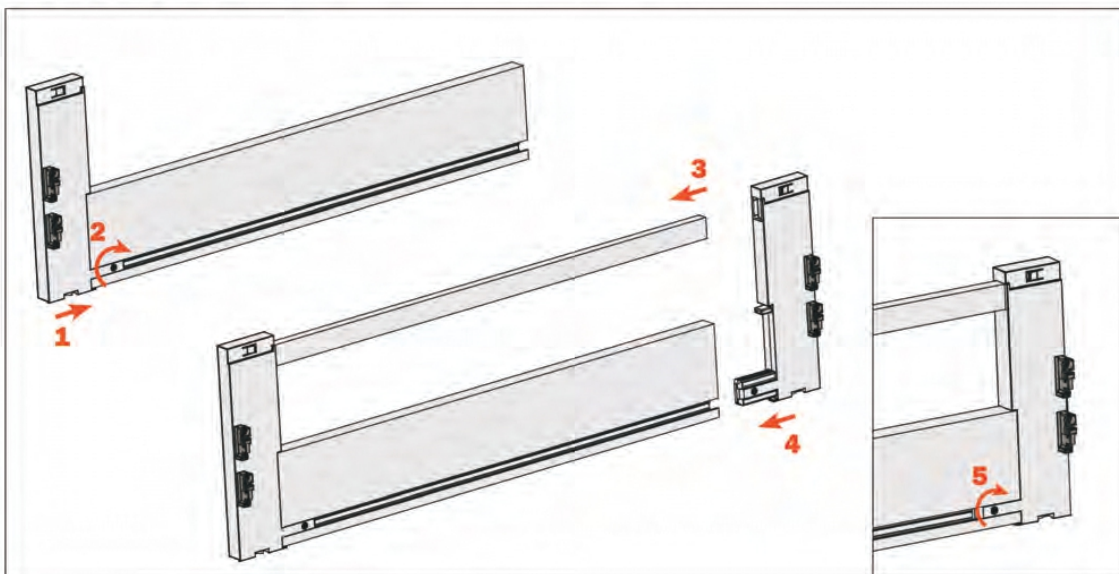
- Rapid assembly system, with no machinery or templates needed
- Rapid mounting and removal of front panel
- Can be modified according to the width of the cabinet
- Height, sideways and depth adjustment of the drawer incorporated in the runner fixing clips
- Material: - aluminum for Lineabox sides, front panel and railing
 - plastic for front panel adapters
 - metal for covers
- Finishes: White - Titanium - Stainless steel

Assembly details

Cut the front panel and the railing to length



Insert the front panel adapters into the front panel and the railing and tighten the locking screws.
Frontal fixings are already premounted.

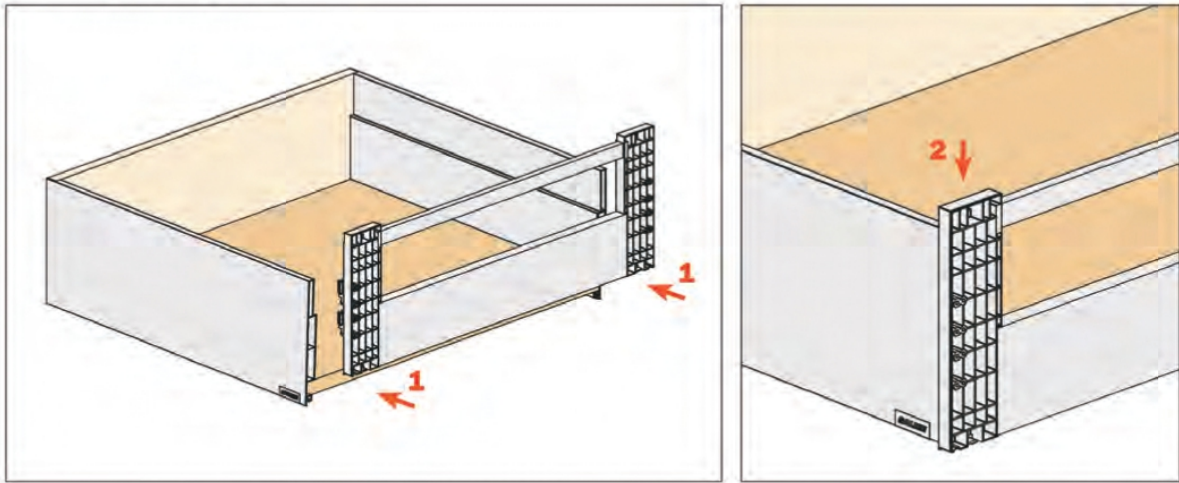


DRAWER SLIDE

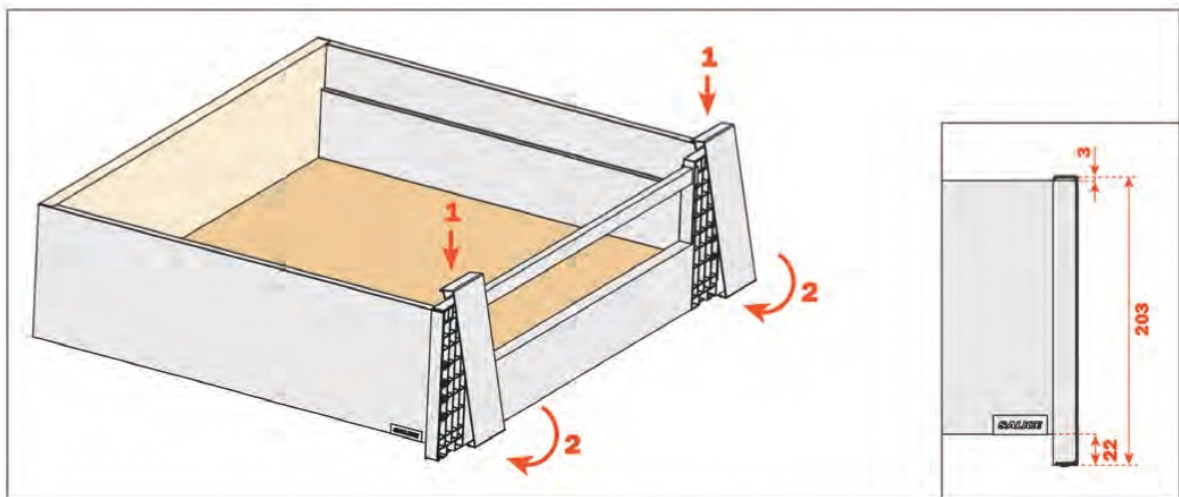
อุปกรณ์รางลิ้นชัก



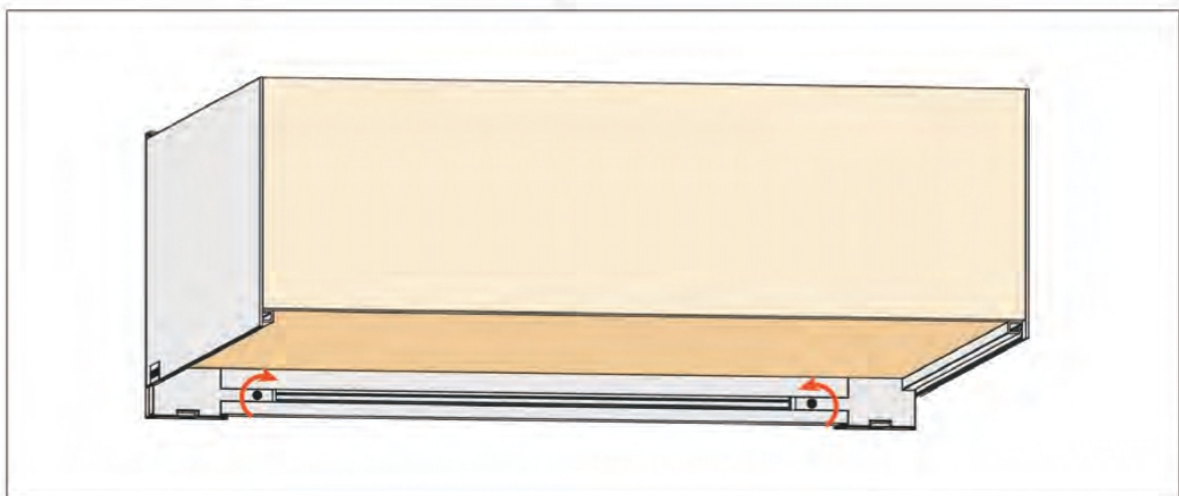
Fix the front panel to the drawer



Fix the covers



To correct any possible cutting errors of the panel, loosen and retighten the indicated screws



DRAWER SLIDE

อุปกรณ์รางลิ้นชัก



Lineabox - Accessories

C-FF-5

Cover cap with embossed logo



Cover cap with silk-screen printed logo



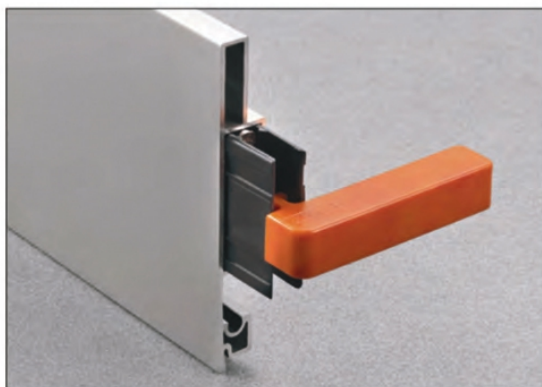
C-FF-4

Reinforcing supports for the bottom of the drawer



C-FF-1

Template for Frontal and back connecting fitting



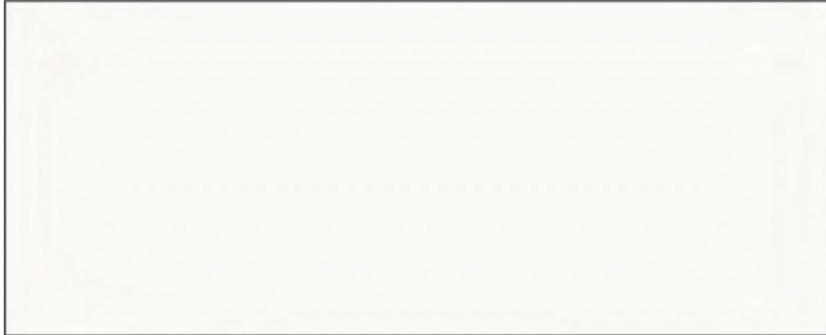
DRAWER SLIDE

อุปกรณ์รางลิ้นชัก

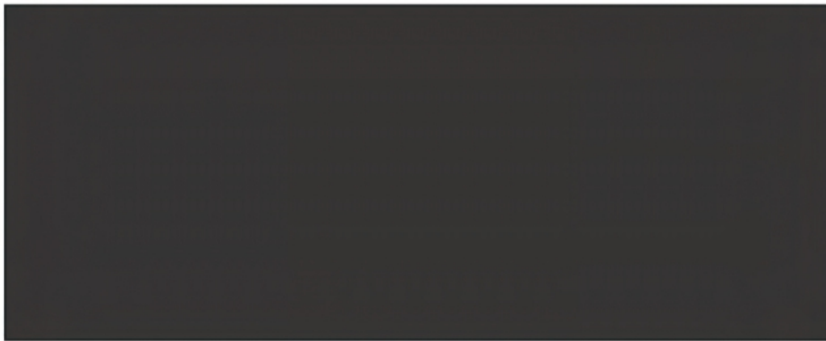


Finishes

White



Titanium



Champagne



Stainless steel

