

DRAWER SLIDE

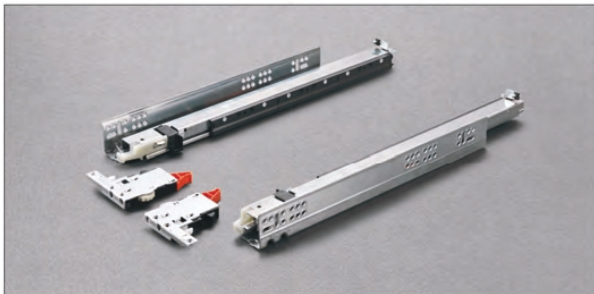
อุปกรณ์รางลิ้นชัก



CC70 SMOVE

Full-extension
Its features and distinctive elements make it a complete runner, suitable to meet all needs

- ✓ LOAD CAPACITY UP TO 70 KG
- ✓ FULL-EXTENSION
- ✓ COMPATIBLE WITH LAMINATE SURFACES
- ✓ FINISH BRIGHT OR POLYESTER



CC70 SMOVE

new heavy-duty
high-capacity drawer runner

Full-extension with synchronised movement of the sliding elements to guarantee lateral stability and a perfectly silent sliding movement

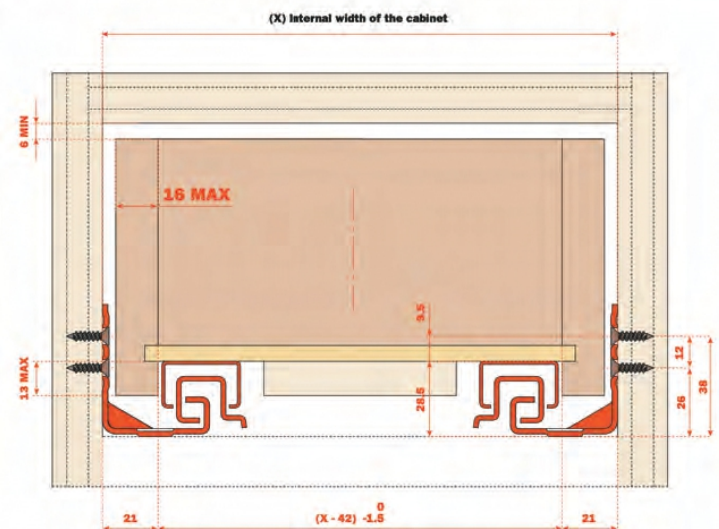
Load capacity up to 70 KG

Full-Extension

Available length 500 mm.

Smove Decelerated closing with 50 mm.

Dimensions



DRAWER SLIDE

อุปกรณ์รางลิ้นชัก



CC70 SMOVE Drawer setting

Abbreviations

CHEST OF DRAWERS

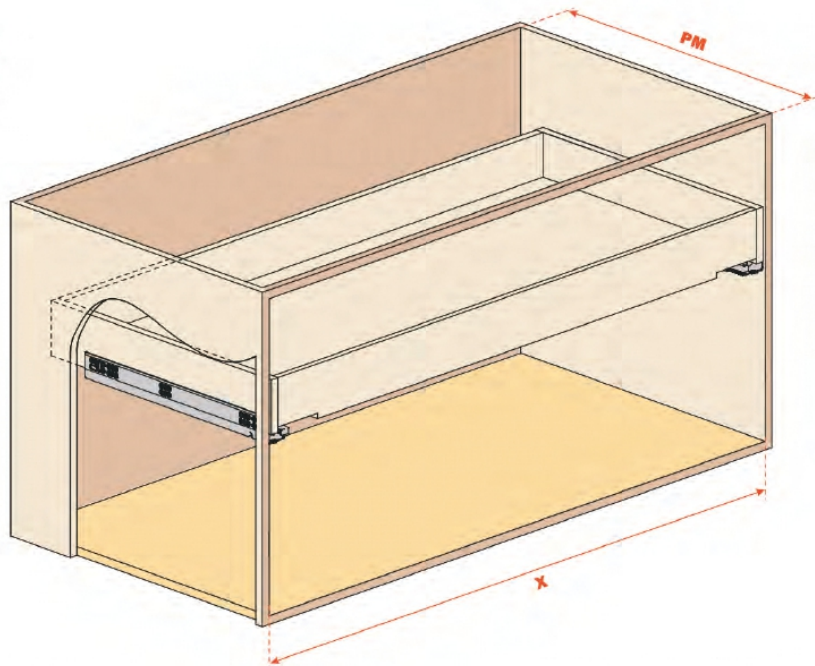
SP = Thickness of the drawer side

LC = Depth of the drawer

PM = Depth of the cabinet

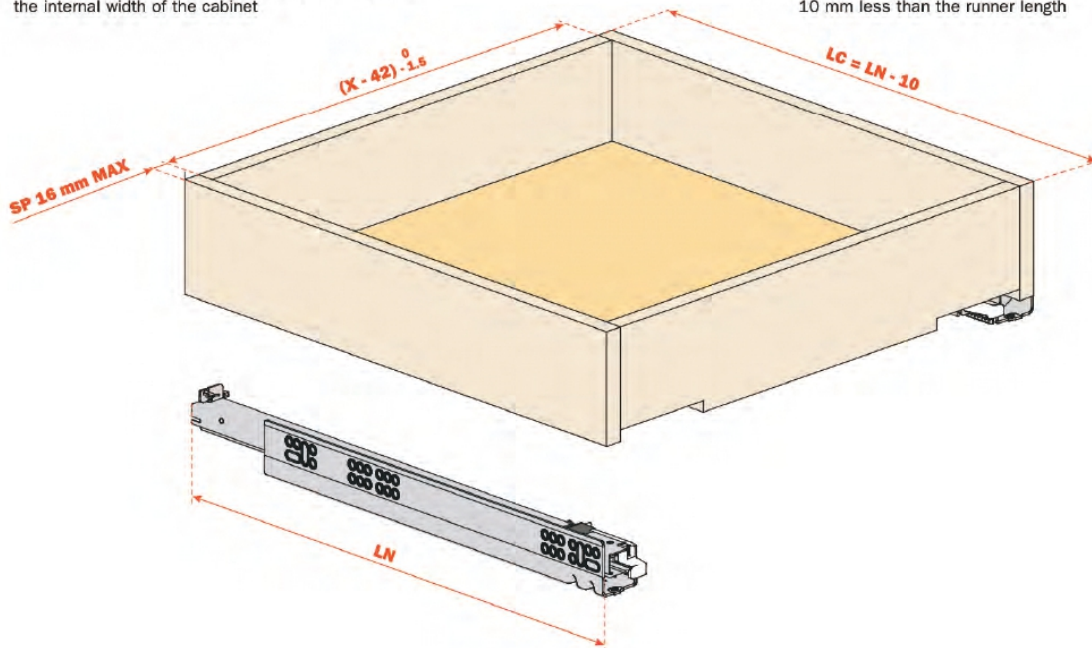
X = Internal width of the cabinet

LN = Nominal runner length



The internal width of the drawer is 42 mm less than the internal width of the cabinet

The external length of the drawer is 10 mm less than the runner length



DRAWER SLIDE

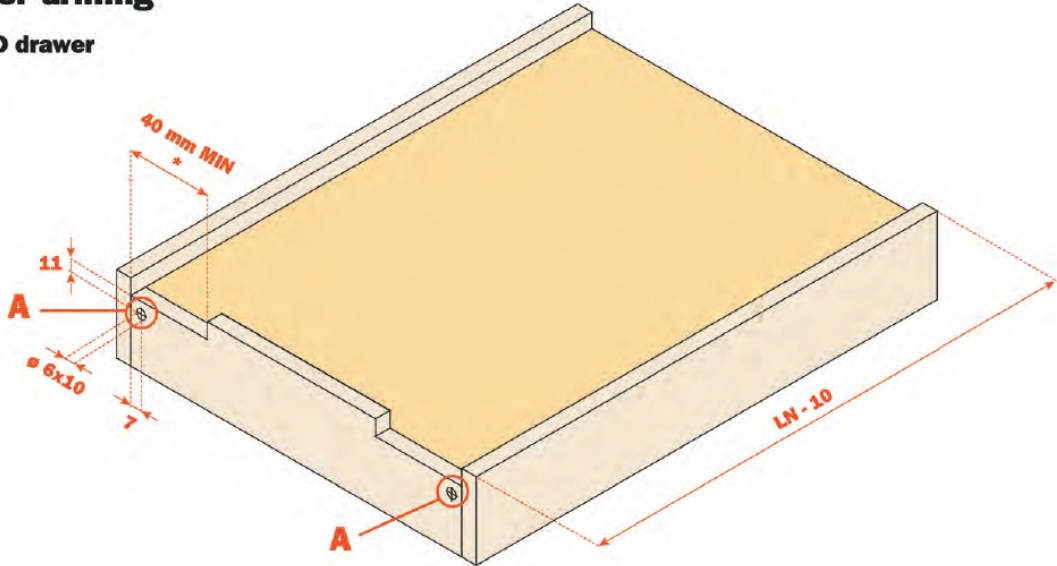
อุปกรณ์รางลิ้นชัก



CC70 SMOVE

Drawer drilling

3-SIDED drawer



4-SIDED drawer

