

# DRAWER SLIDE

อุปกรณ์รางลิ้นชัก



CC 65559 - futura Shelf Smove

CC 65579 - futura Shelf Push

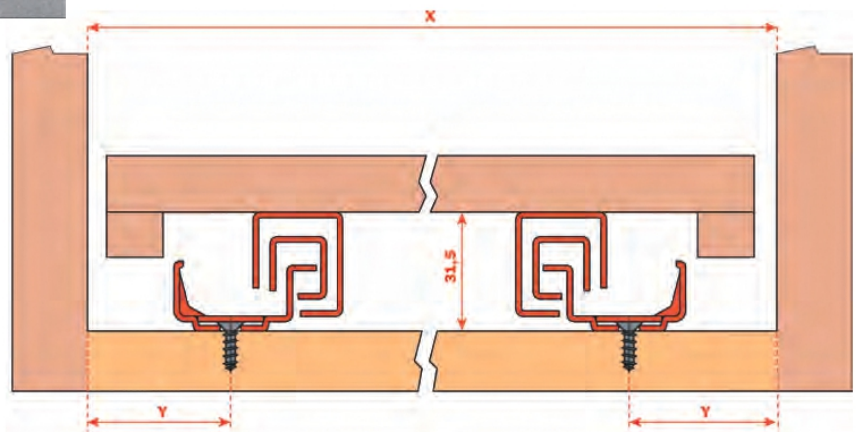
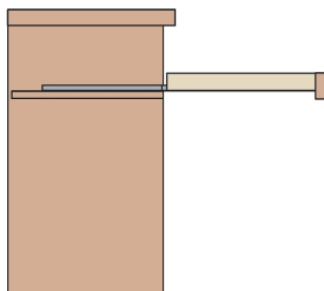


## Technical Information

- Dynamic load capacity N 294 (Kg 30).
- **Smove closing** or **Push opening** system.
- Safety system that prevents the shelves from turning over.
- Shelf height adjustment +2.5 mm.
- The shelf is held in the closed position.
- Finish: bright zinc-plated.

## ข้อมูลทางเทคนิค

- รับน้ำหนัก 30 กก.
- มีให้เลือก 2 ระบบคือ ปิดแบบนุ่มนวล หรือ แบบกดกระดิ่ง
- พร้อมระบบป้องกันการคว่ำของชั้น
- สามารถปรับระดับความสูง +2.5 มม.



Y = Min. 15 mm

# DRAWER SLIDE

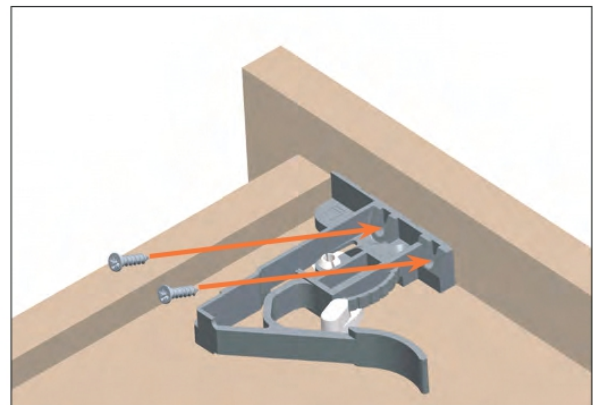
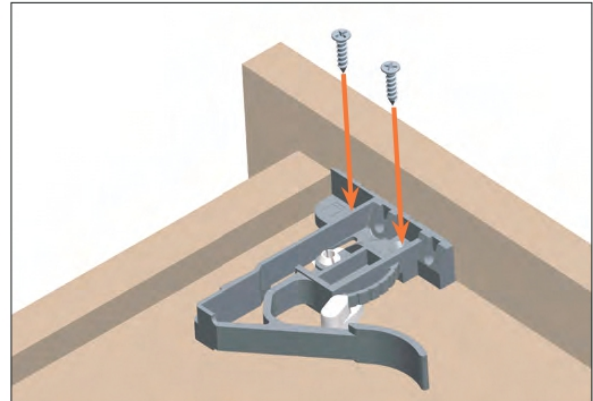
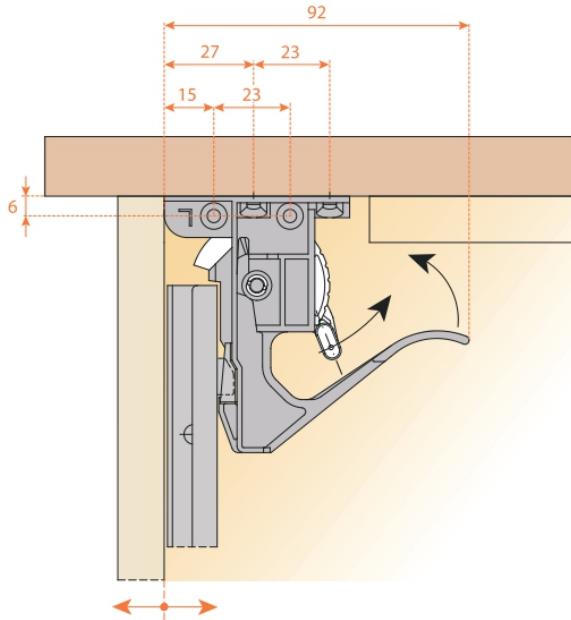
อุปกรณ์รางลิ้นชัก



With 1 way adjustable clip

- Technical information

Fixing clip

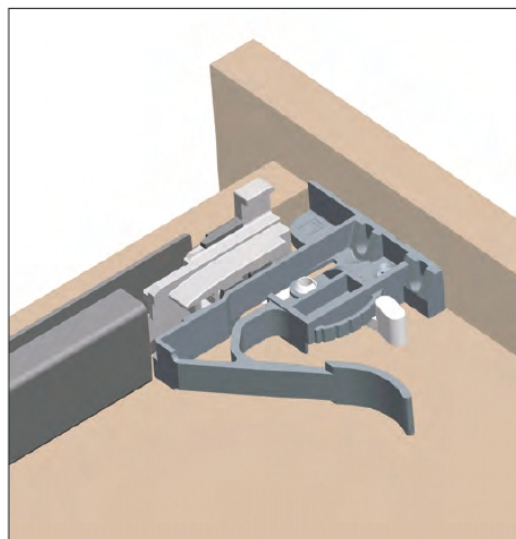
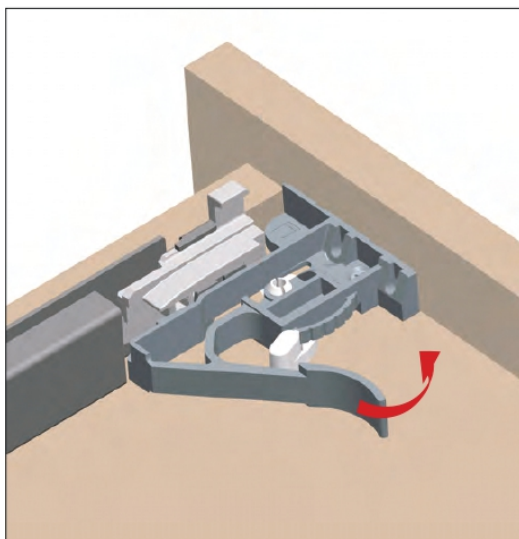


Right and left clip

## Height adjustment + 2.5 mm

Turn the lever towards the front of the drawer to adjust the height.

This operation is tool free.



# DRAWER SLIDE

อุปกรณ์รางลิ้นชัก



## Futura - with 3 way adjustable clip

The 3 way adjustment allows to:

- align the drawers between them;
- align the drawers with the cabinet.

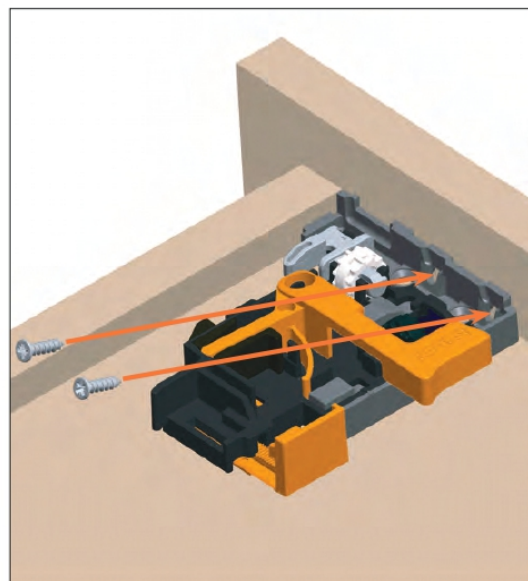
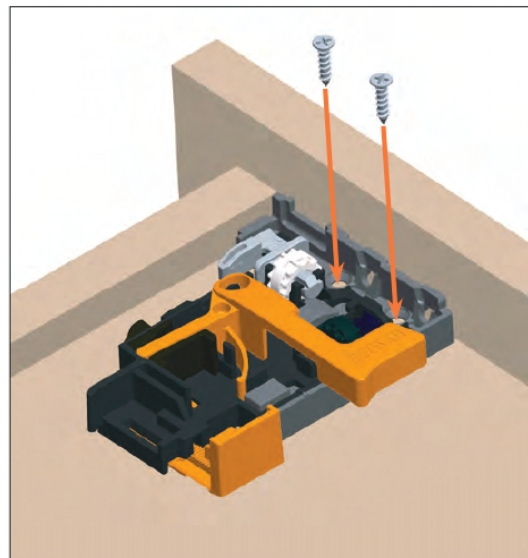
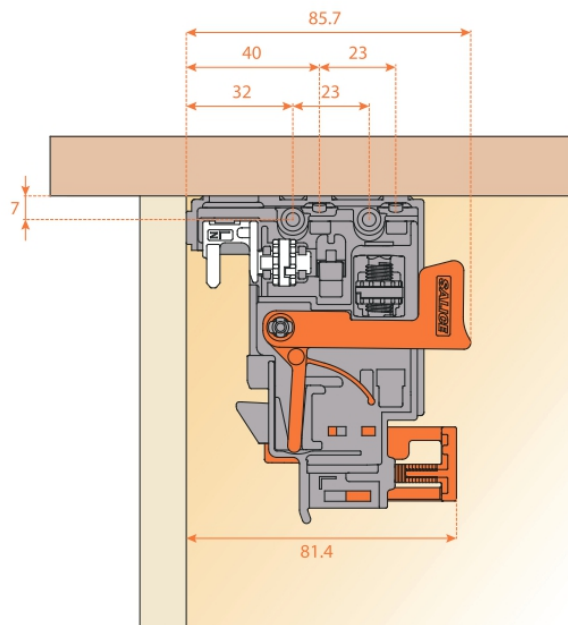
Features and benefits of the clip:

- for all versions of full-extension runners
- tool free 3 way adjustment
- patented removal system of the drawer, from both the front and the sides of the drawer
- clip manufactured in Carbon Fibre rich material for light weight, strength and rigidity

### Clip assembly

Position the left and the right clip at the front of the drawer.

Fix with the screws on the bottom or on the front of the drawer as indicated in the images below.



Right and left clip with integrated adjustments