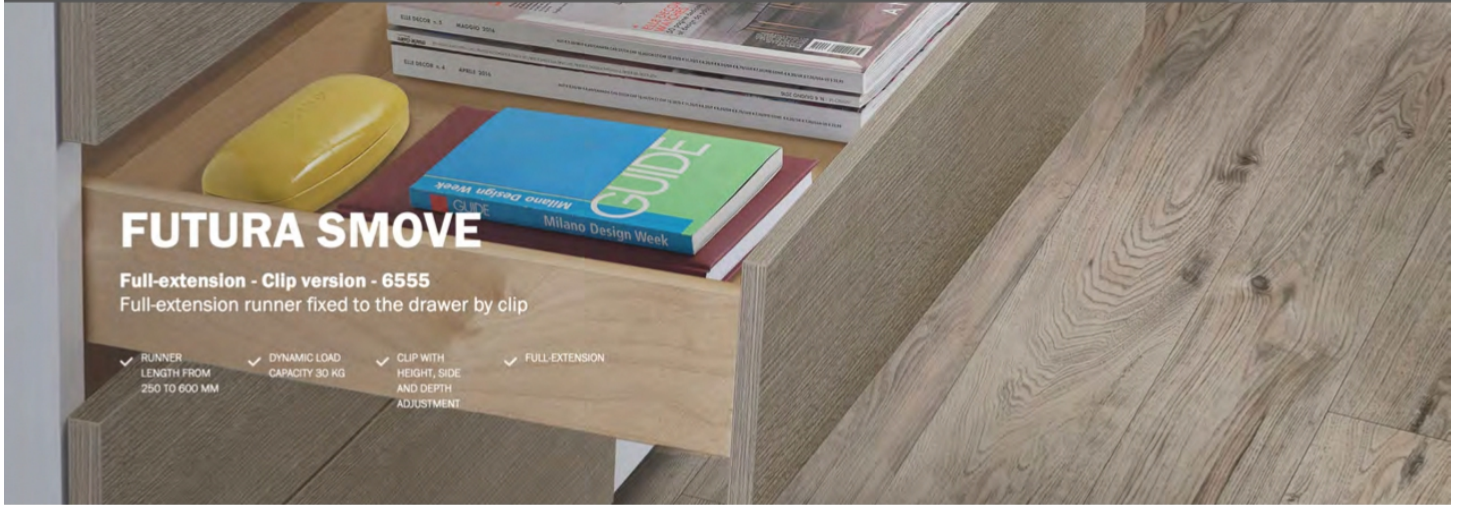


DRAWER SLIDE

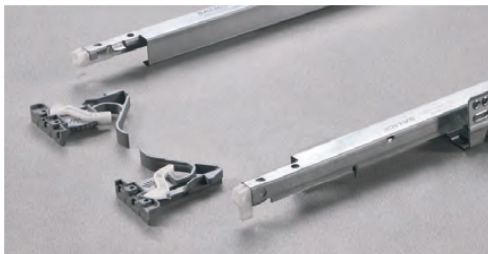
อุปกรณ์รางลิ้นชัก



FUTURA SMOVE

Full-extension - Clip version - 6555
Full-extension runner fixed to the drawer by clip

- ✓ RUNNER LENGTH FROM 250 TO 600 MM
- ✓ DYNAMIC LOAD CAPACITY 30 KG
- ✓ CLIP WITH HEIGHT, SIDE AND DEPTH ADJUSTMENT
- ✓ FULL EXTENSION



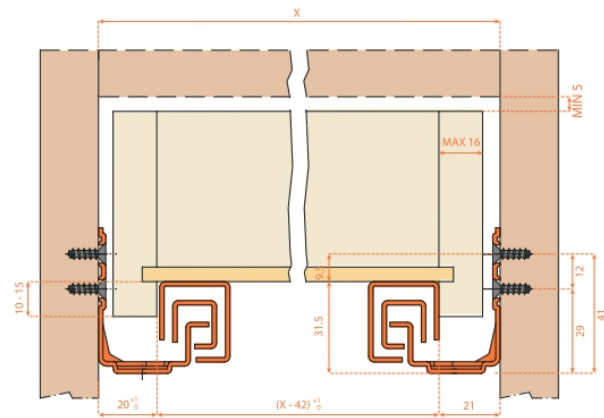
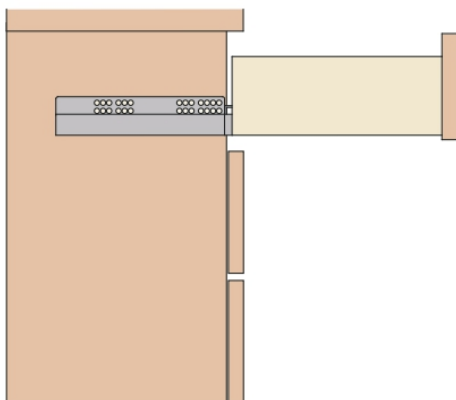
CC6555 - futura Smove

Technical Information

- Dynamic load capacity N 294 (kg 30).
- With smove decelerated closing
- Safety system that prevents the drawers from turning over.
- Drawer height adjustment (+2,5mm).
- The drawer is maintained parallel with the cabinet side during opening.
- Finish: bright zinc-plated.
- Size : 25/30/35/40/45/50/55/60 cm.

ข้อมูลทางเทคนิค

- รางลิ้นชักแบบซ่อนราง (สองตอน) อย่างดี
- ระบบ Smove (Soft-closing) ปิดเปิดนุ่มนวล ไม่มีเสียงดัง
- ระบบ "คลิป" ไม่ต้องใช้สกรู รับน้ำหนัก 30 กก.
- สามารถปรับความสูงของลิ้นชัก (+3 มม.) ปรับตรงคลิก
- ขนาด : 25/30/35/40/45/50/55/60 ซม.



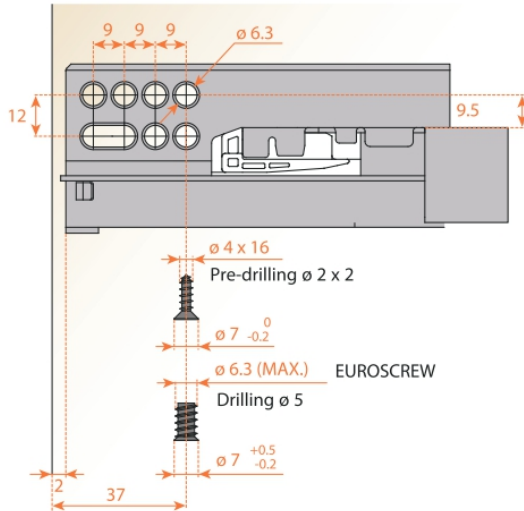
DRAWER SLIDE

อุปกรณ์รางลิ้นชัก



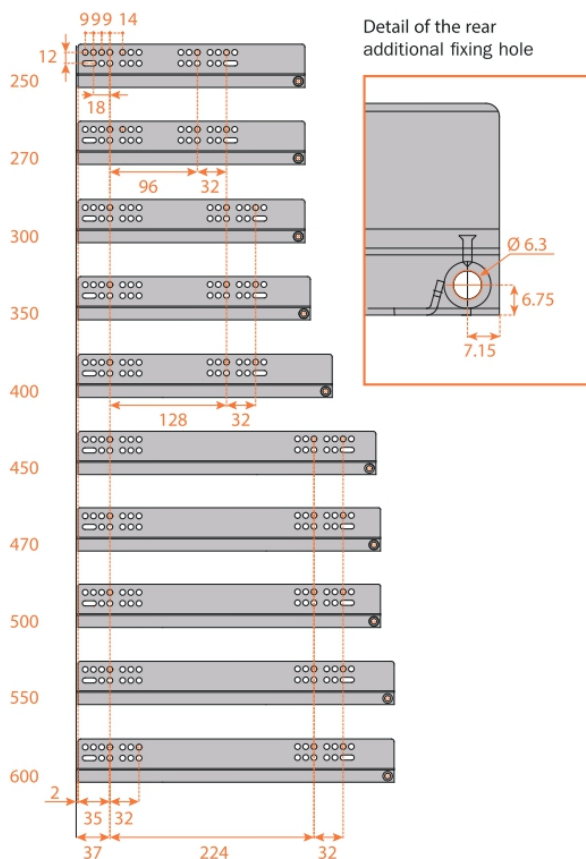
CC6555 , CC6557 Fixing

Fixing full-extension runner on cabinet side.



The oval slot allows the easy alignment of drawer frontals particularly in multi drawer and Push applications.

Drilling positions for runner on cabinet side. Full-extension



DRAWER SLIDE

อุปกรณ์รางลิ้นชัก



Clip version - Drawer setting

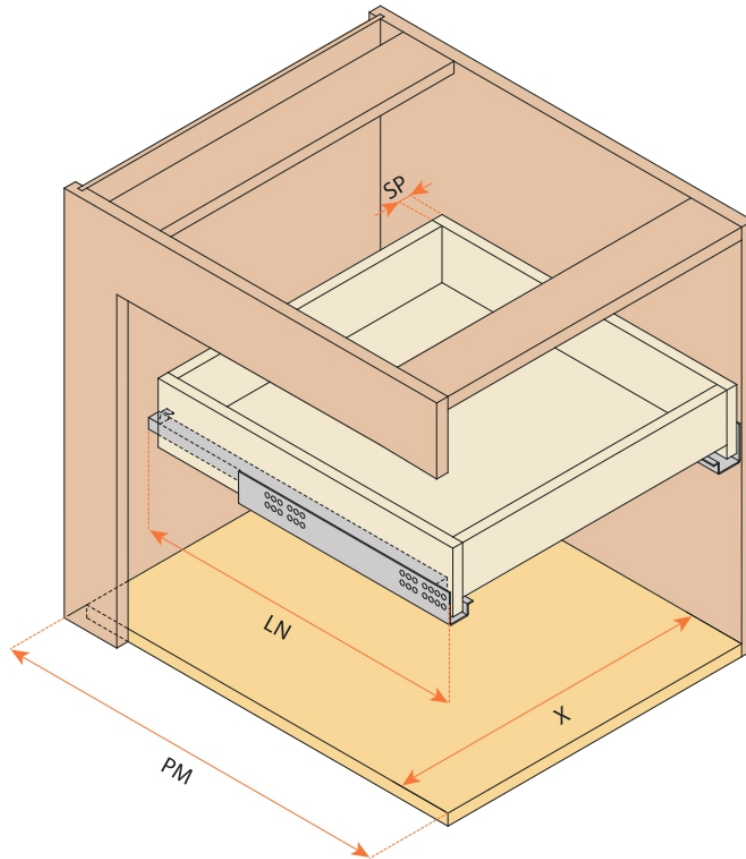
Abbreviations

SP = Thickness of the drawer

LN = Nominal runner length

PM = Depth of the cabinet

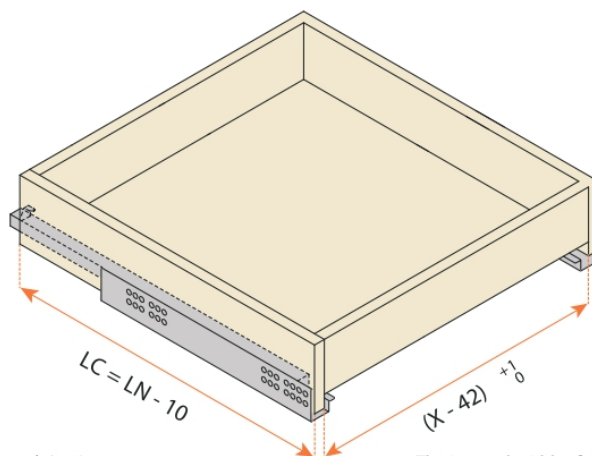
X = Internal width of the cabinet



Drawer dimensions

LC = Runner length - 10 mm

X - 42 = Internal width of the drawer



The drawer length is 10 mm shorter than the runner length

The internal width of the drawer is 42 mm less than the internal width of the cabinet

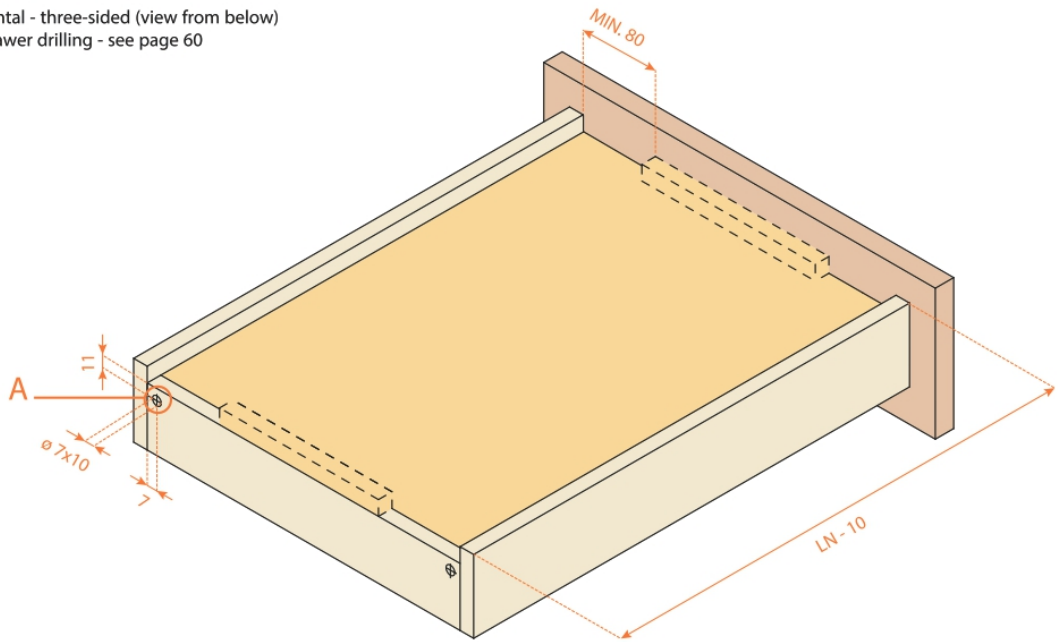
DRAWER SLIDE

อุปกรณ์รางลิ้นชัก

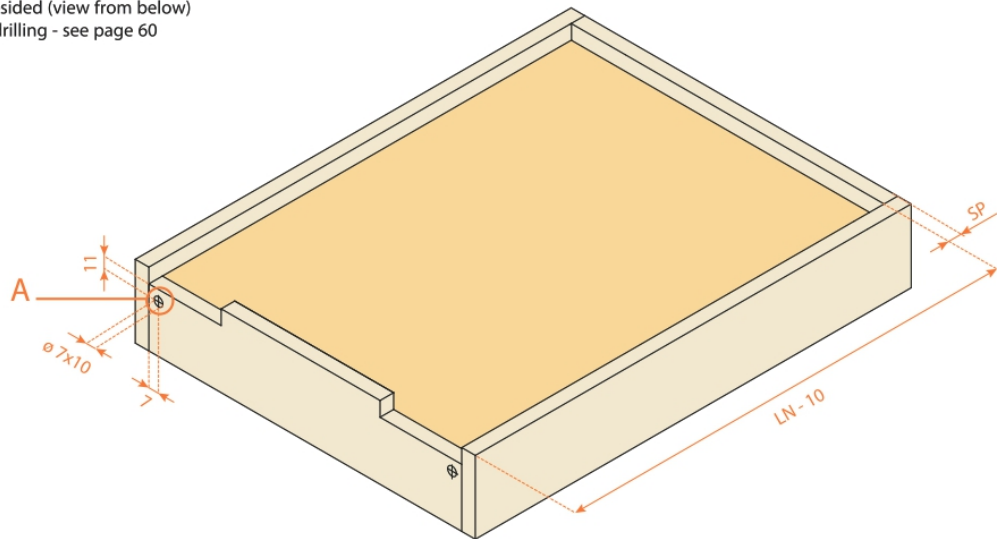


Futura - Clip - Drawer drilling

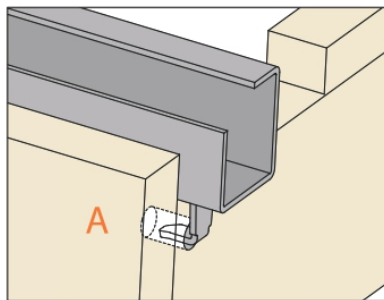
Drawer with frontal - three-sided (view from below)
 Template for drawer drilling - see page 60



Internal drawer - four-sided (view from below)
 Template for drawer drilling - see page 60

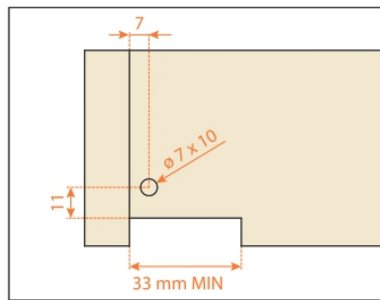


REAR HOOK

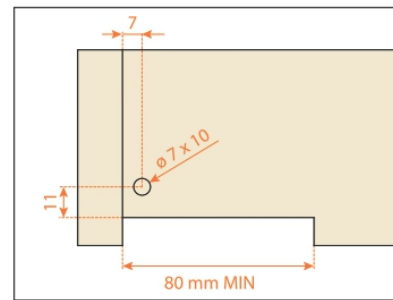


Use drilling template for rear hook,

REAR NOTCH

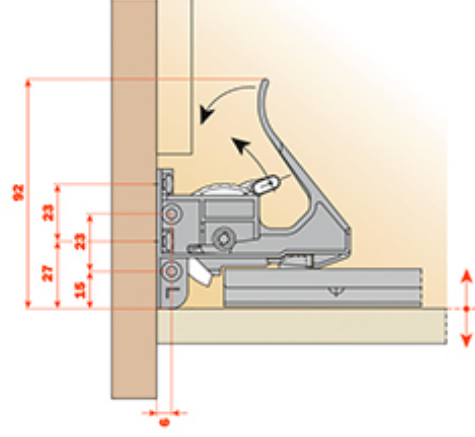


REAR NOTCH with Futura Push synchroniser



With 1 way adjustable clip - Technical information

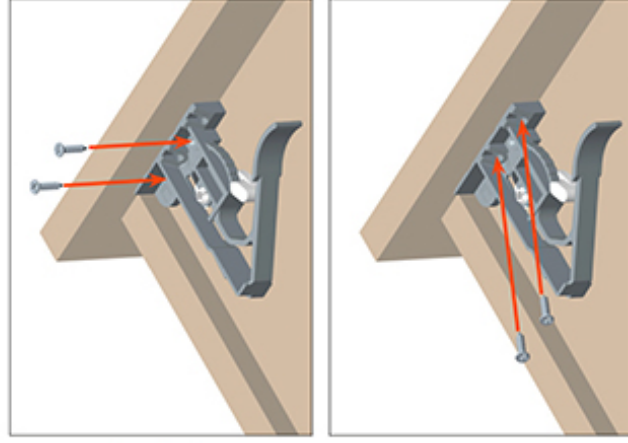
Fixing clip



1071000010100

Right and left clip

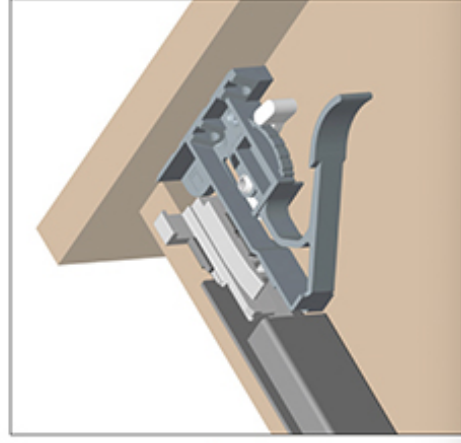
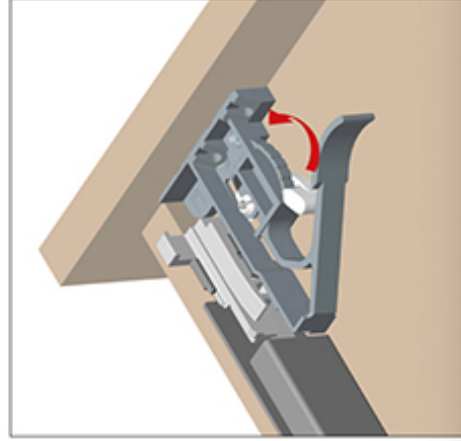
PACKING
2 BOXES = 100 right pcs. and 100 left pcs.



Height adjustment + 2.5 mm

Turn the lever towards the front of the drawer to adjust the height.

This operation is tool free.



Futura - with 3 way adjustable clip

The 3 way adjustment allows for:

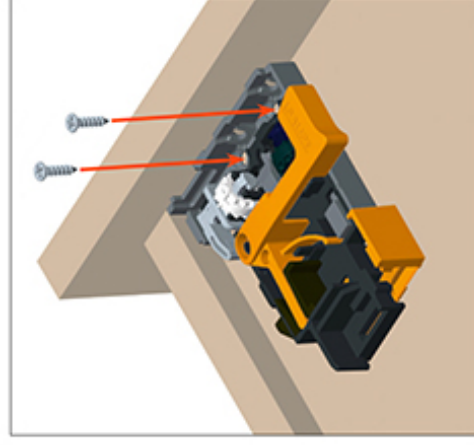
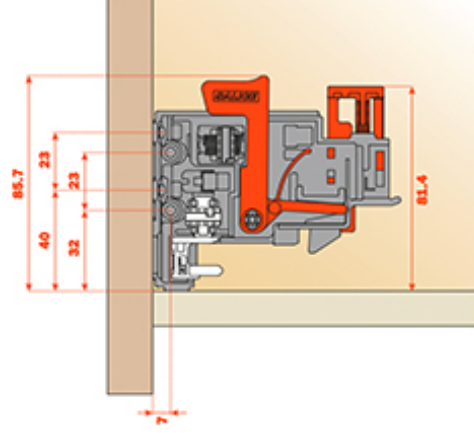
- align the drawers between them;
- align the drawers with the cabinet.

Features and benefits of the clip:

- for all versions of full-extension runners
- tool free 3 way adjustment
- patented removal system of the drawer, from both the front and the sides of the drawer
- clip manufactured in Carbon Fibre rich material for light weight, strength and rigidity

Clip assembly

Position the left and the right clip at the front of the drawer.
Fix with the screws on the bottom or on the front of the drawer as indicated in the images below.



1075000010100

Right and left clip with integrated adjustments

PACKING
2 BOXES = 100 right pcs. and 100 left pcs.

